

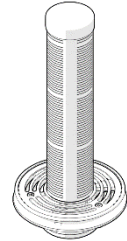
# Planter Box Drain Combo – CI 100 PVC Standard Body & PVC Planter Box Drain 100

**PRODUCT CODES:**

- DV4S04P



**WaterMark**  
 WMTS 040:2021 Lic. WMK02448  
 SAI Global



**SPECIFICATIONS**

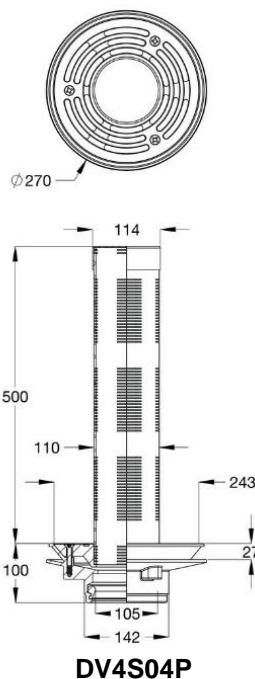
- uPVC adjustable slotted riser with top access cap
- Cast iron vertical body grey enamel coated with plastic grate reducing the risk of large volumes of water sitting at the base of the planter box
- Weep holes with stainless steel lock down bolts
- PVC riser is able to be cut to the desired height of the planter box
- Plastic grate also acts as a clamp ring waterproof membrane

**TECHNICAL DATA**

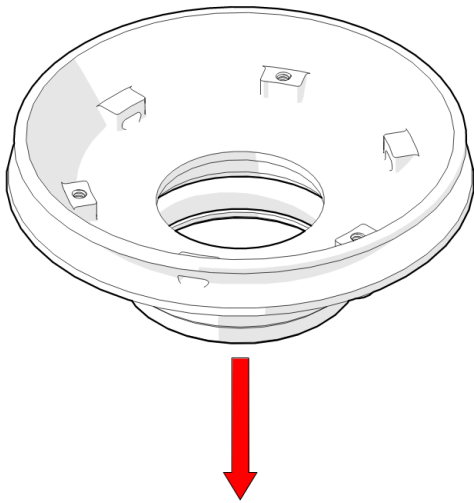
Grate Shape		Round
Outlet		100 PVC/HDPE
Material	Grate	PVC
	Body	Cast Iron
	Riser	PVC

**NOTE:** Galvin Specialised continually strive to improve their products. Specifications may change without notice.

**PRE-INSTALLATION - DIMENSIONS**

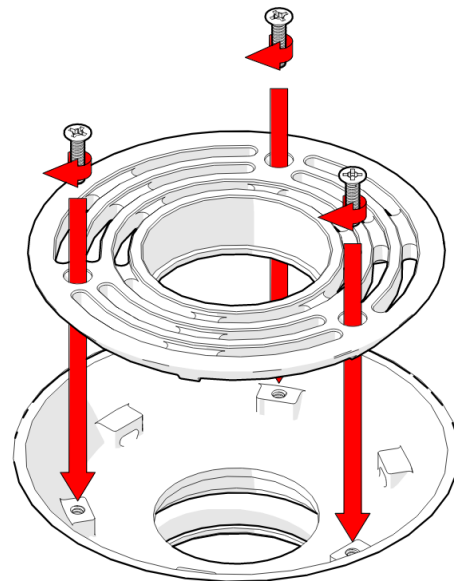


**TYPICAL INSTALLATION**



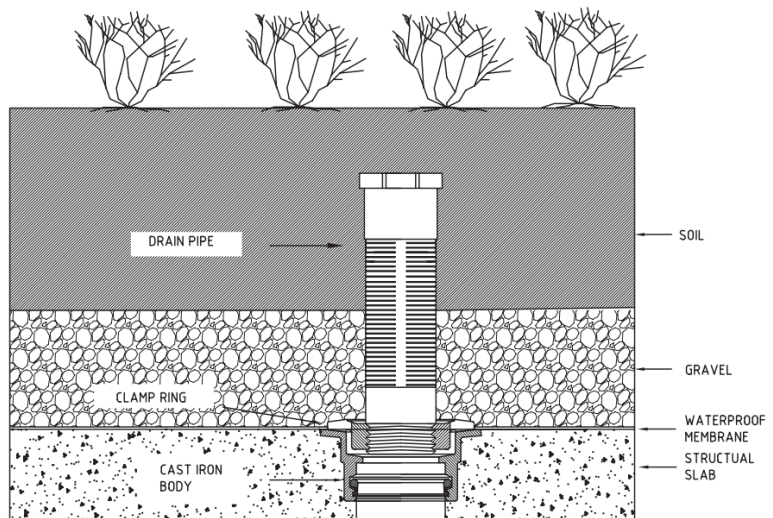
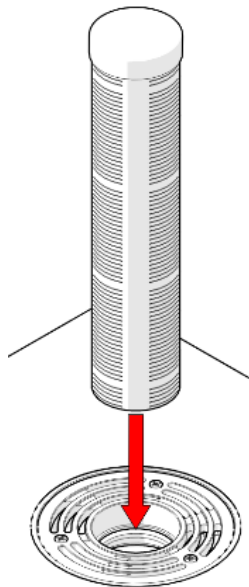
**1. Insert Cast Iron Body**

- Insert the cast iron body to the prepared hole connecting it to the PVC/HDPE pipe.



**2. Secure Grating**

- Secure grating using supplied screws.
- Apply waterproofing procedures



**3. Secure Drain Pipe**

- Secure drain pipe as shown
- Once fully assembled, commence with gravel and soil applications

**MAINTENANCE AND CLEANING**

Galvin Specialised products should be cleaned with a soft damp cloth using only mild liquid detergent or soap and water. Do not use cleaning agents containing a corrosive acid, scouring agent or solvents. Do not use cream cleaners, as they are abrasive. Use of unsuitable cleaning agents may damage the surface. Any damage caused in this way will not be covered by warranty.

Regular maintenance should be carried out in accordance with installation and troubleshooting guides provided with the product, the relevant Australian Standards, local authorities and state codes.

Tea staining is an installation and maintenance issue. To reduce the risk of tea staining, products should be regularly cleaned. In certain environments corrosion reducers/inhibitors may need to be regularly applied, and consideration should be given to the use of electropolishing or other surface coatings.

**Note:** *It is recommended higher grades of stainless steel be specified for corrosive or coastal areas*

**TROUBLESHOOTING**

PROBLEM	CAUSE	RECTIFICATION
Water is not flowing	<ul style="list-style-type: none"> <li>- Body contains debris or damage</li> <li>- Grate contains debris or damage</li> </ul>	<ul style="list-style-type: none"> <li>- Body must be clean and free from debris.</li> <li>- Grate must be clean and free from debris.</li> </ul>

**WARRANTY**

The warranty set forth herein is given expressly and is the only warranty given by the Galvin Engineering Pty Ltd. With respect to the product, Galvin Engineering Pty Ltd makes no other warranties, express or implied. Galvin Engineering Pty. Ltd. hereby specifically disclaims all other warranties, express or implied, including but not limited to the implied warranties of merchantability and fitness for a particular purpose.

Galvin Engineering Pty Ltd products are covered under our manufacturer’s warranty available for download from [www.galvinengineering.com.au](http://www.galvinengineering.com.au). Galvin Engineering products must be installed in accordance with the installation instructions and in accordance with AS3500, PCA, relevant Australian Standards and local authorities applicable to product being installed. Galvin Engineering Pty Ltd expressly warrants that the product is free from operational defects in workmanship and materials for the warranty period as shown on the schedule in the manufacturer’s warranty. During the warranty period, Galvin Engineering will replace or repair any defective products manufactured by Galvin Engineering without charge, so long as the terms of the Manufacturer’s warranty are complied with.

The remedy described in the first paragraph of this warranty shall constitute the sole and exclusive remedy for breach of warranty, and Galvin Engineering Pty Ltd shall not be responsible for any incidental, special or consequential damages, including without limitation, lost profits or the cost of repairing or replacing other property which is damaged if this product does not work properly, other costs resulting from labour charges, delays, vandalism, negligence, fouling caused by foreign material, damage from adverse water conditions, chemical, electrical or any other circumstances over which Galvin Engineering has no control. This warranty shall be invalidated by any abuse, misuse, misapplication, improper installation or improper maintenance or alteration of the product.